

Hard Ceiling Mount for PEAR S5606i

Hard Ceiling Installation

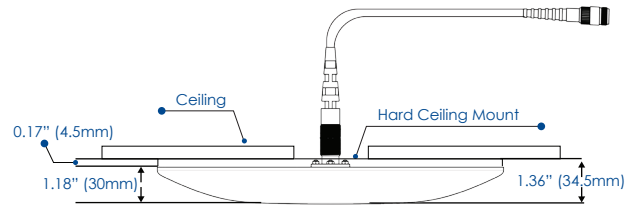
DESCRIPTION:

Galtronics' hard ceiling mount offers an easy installation solution to mount Galtronics' PEAR S5606i antenna to hard ceilings not requiring a second access hole. Mounting hardware is not included. Make sure the selected fasteners are appropriate based on the ceiling material to which the hard ceiling mount is attached to. The hard ceiling mount adds 0.17" (4.5mm) to the antenna height.

Specifications	
Environmental Conditions	Indoor
Weight	0.25 lbs (114 g)
Diameter	12" (304mm)
Hard Ceiling Mount Color	White*
Hard Ceiling Material	PC/ABS (halogen free)
Center Hole Diameter	1.57" (40mm) to 9.45" (240mm)
Height Added By Hard Ceiling Mount	0.17" (4.5mm)
Total Height (Antenna & Hard Ceiling mount)	1.36" (34.5 mm)
Mounting Hardware	Not included

ADDITIONAL INFORMATION:

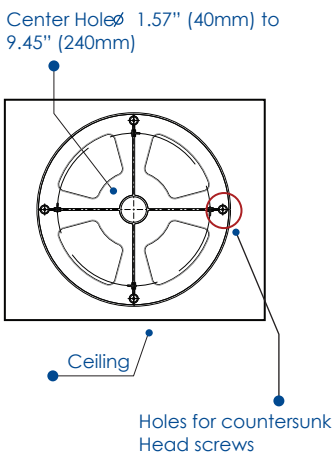
* Hard ceiling mounting kit can be painted with recommended paint "Krylon Fusion for Plastic".



Assembly Instructions for the S5606i Hard Ceiling Mount:

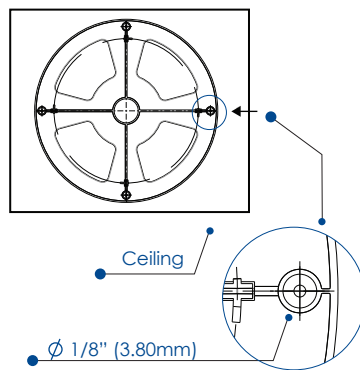
A.

Cut a hole with a diameter between 1.57" (40mm) to 9.45" (240mm) into the ceiling and mark 4 holes for countersunk head screws.



B.

Center the hard ceiling adapter above the center hole and attach it with 4 countersunk head screws 1/8" (3.80mm) diameter suitable for the ceiling material (not provided).



C.

Raise the antenna towards the Hard Ceiling Mount. Insert the Key to the Key Slot, and turn the antenna as shown in below illustration

